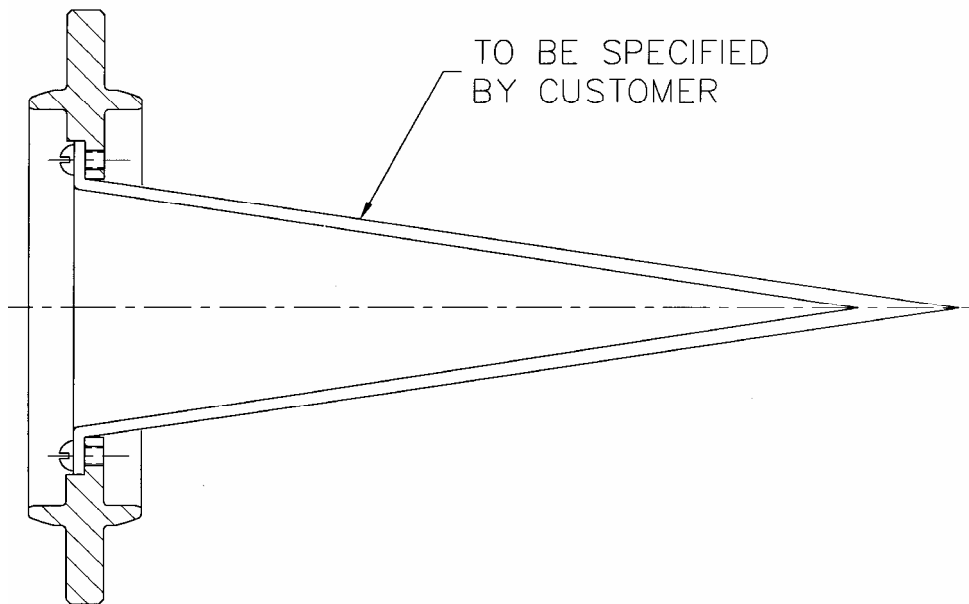
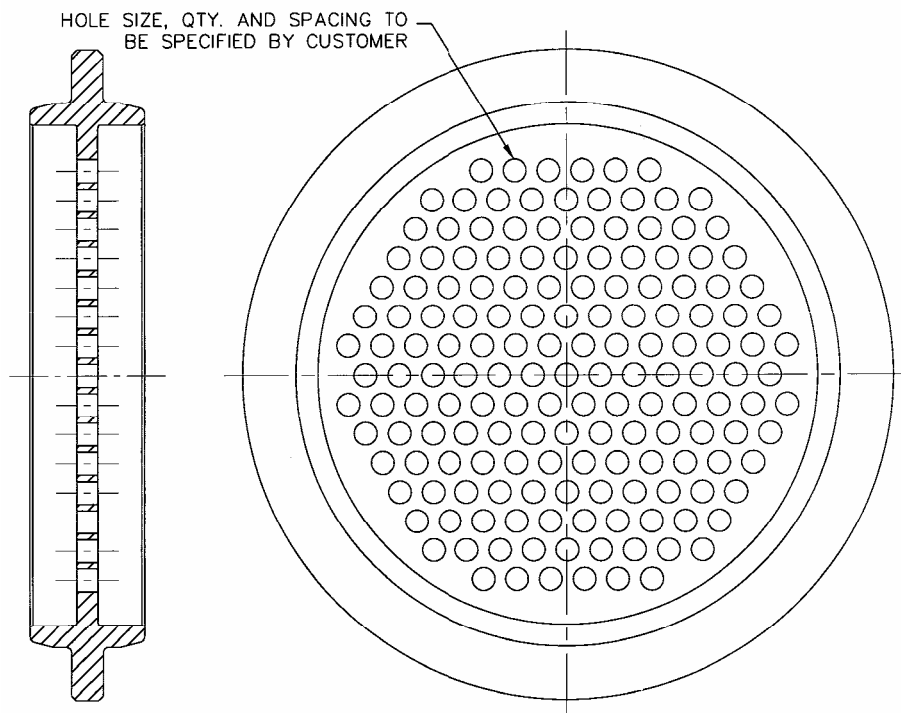




**Figure 1: Grayloc seal ring with strainer basket.**



**Figure 2: Grayloc strainer seal ring**



**Engineering, Manufacturing and Sales Locations:**

Western Hemisphere  
11835 Charles Street  
Houston, Texas 77041-2411  
U.S.A.  
Tel: 713-466-8853  
Fax: 713-937-2335

Eastern Hemisphere  
Hydropark, Tern Place  
Denmore Road, Bridge of Don  
Aberdeen, Scotland AB23 8JX  
Tel: (44) 1224 222790  
Fax: (44) 1224 222780

# Grayloc Strainer Seal Rings



## Engineering, Manufacturing and Sales Locations:

Western Hemisphere  
11835 Charles Street  
Houston, Texas 77041-2411  
U.S.A.  
Tel: 713-466-8853  
Fax: 713-937-2335

Eastern Hemisphere  
Hydropark, Tern Place  
Denmore Road, Bridge of Don  
Aberdeen, Scotland AB23 8JX  
Tel: (44) 1224 222790  
Fax: (44) 1224 222780

**GRAYLOC®**  
 **PRODUCTS**  
[www.grayloc.com](http://www.grayloc.com)

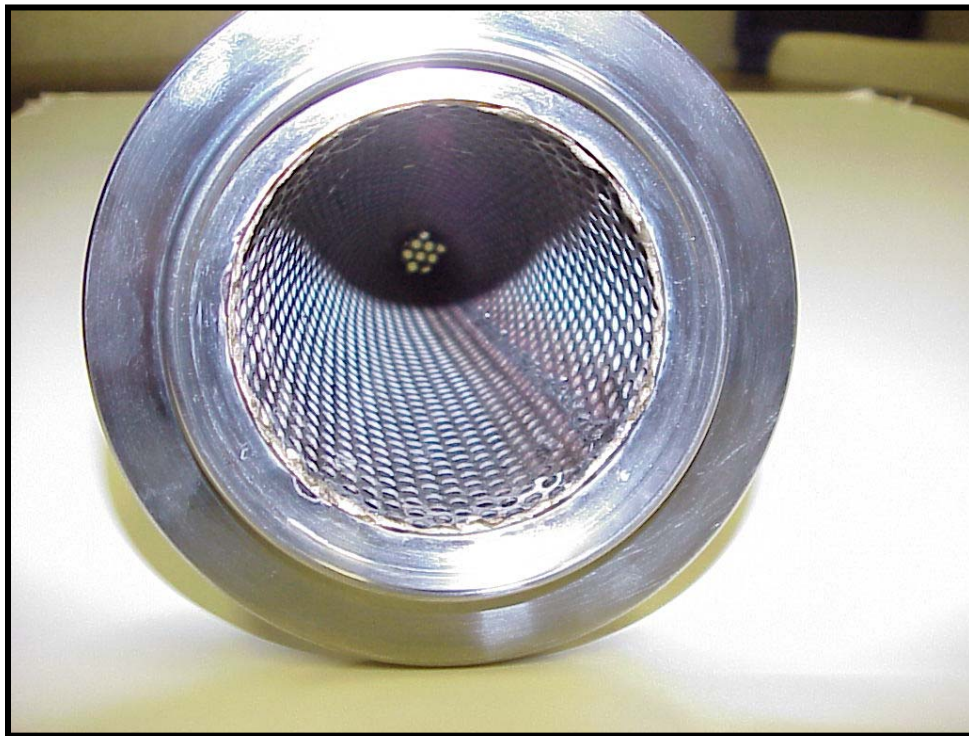


## Engineering, Manufacturing and Sales Locations:

Western Hemisphere  
11835 Charles Street  
Houston, Texas 77041-2411  
U.S.A.  
Tel: 713-466-8853  
Fax: 713-937-2335

Eastern Hemisphere  
Hydropark, Tern Place  
Denmore Road, Bridge of Don  
Aberdeen, Scotland AB23 8JX  
Tel: (44) 1224 222790  
Fax: (44) 1224 222780

## Grayloc Strainer Seal Rings



### Engineering, Manufacturing and Sales Locations:

Western Hemisphere  
11835 Charles Street  
Houston, Texas 77041-2411  
U.S.A.  
Tel: 713-466-8853  
Fax: 713-937-2335

Eastern Hemisphere  
Hydropark, Tern Place  
Denmore Road, Bridge of Don  
Aberdeen, Scotland AB23 8JX  
Tel: (44) 1224 222790  
Fax: (44) 1224 222780

**GRAYLOC<sup>®</sup>**  
**PRODUCTS**  
www.grayloc.com